

**J2 SITE PLAN**  
 SCALE: 1" = 10'-0"

**GENERAL NOTES:**

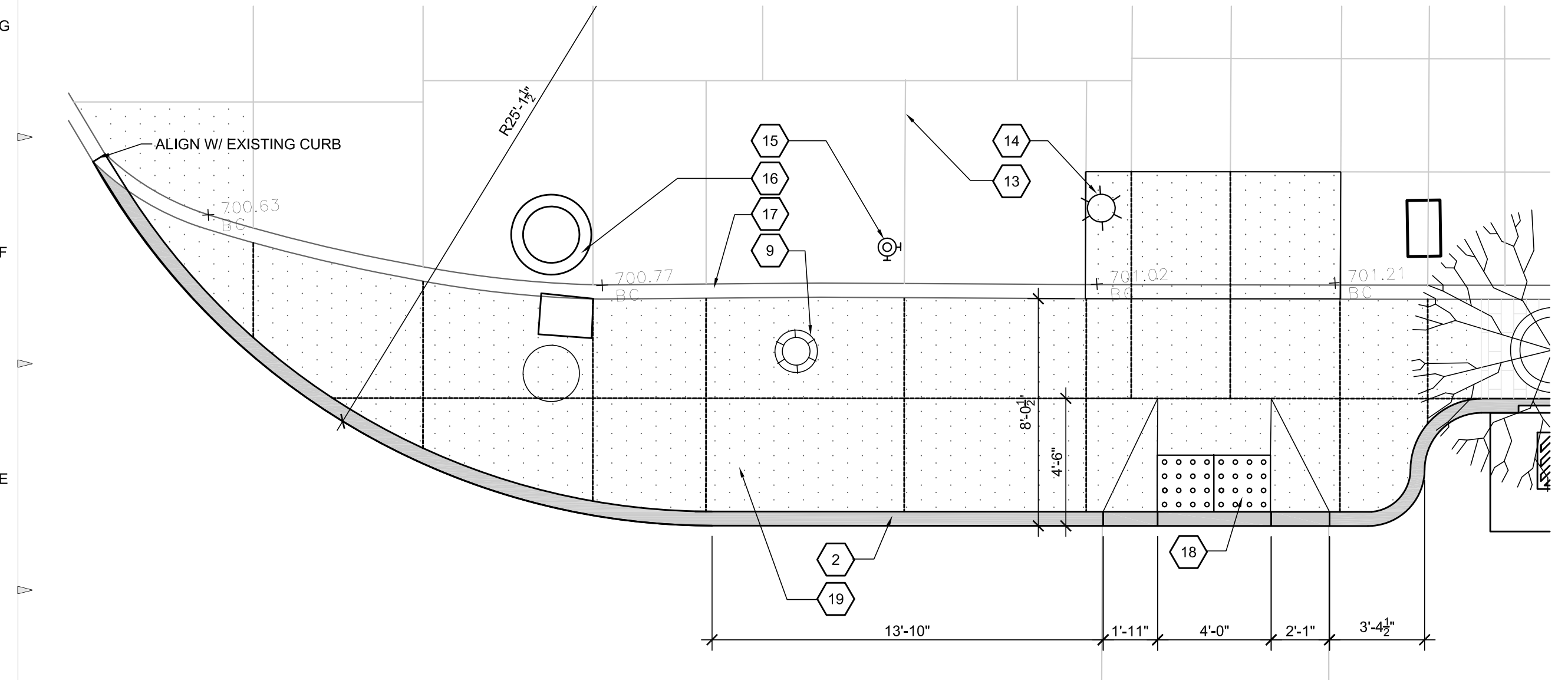
1. ALL WORK TO BE PER CITY OF ATHENS STANDARDS
2. AN EXPANSION JOINT IS TO BE PLACED BETWEEN NEW AND EXISTING SURFACES WHERE NEW CONCRETE PAVEMENT MEETS EXISTING SIDEWALK, WALL, CURB OR OTHER FLAT SURFACE
3. SIGNAGE TO BE REMOVED AND REPLACED BY THE CITY OF ATHENS, CONTRACTOR TO COORDINATE SCHEDULE OF WORK WITH THE CITY
4. NEW LAMP POSTS AND LUMINAIRES TO BE PROVIDED BY CITY, CONTRACTOR TO INSTALL.
5. CONTROL JOINTS TO BE HAND TOOLED
6. ALL DIMENSIONS AND ELEVATIONS TO BE FIELD VERIFIED AND LAYOUT CONFIRMED. VARIATIONS IN DATA TO BE REVIEWED WITH THE ENGINEER PRIOR TO START OF WORK.

**CODED NOTES:**

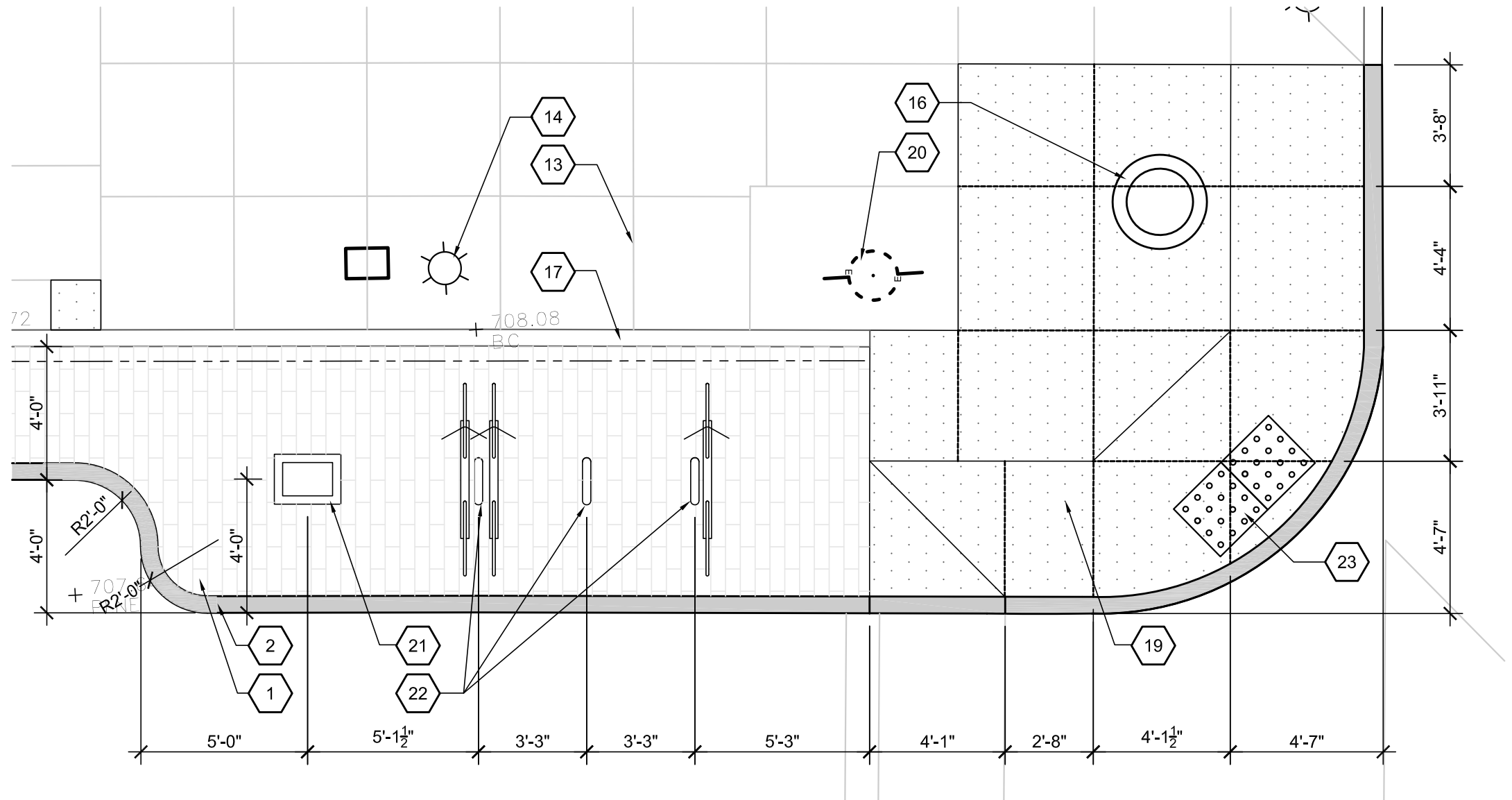
1. NEW BRICK PAVERS, CONTRACTOR TO INSTALL OWNER PROVIDED PAVERS, CONTRACTOR TO SORT PAVERS AND USE PAVERS IN THE BEST CONDITION WITHOUT MAJOR DEFECTS, CHIPS OR DAMAGE, RETURN UNUSED PAVERS TO OWNER ON PALLET, INSTALL PAVERS PER DETAIL M1/C200 NORTH SIDE AND G1/C200 SOUTH SIDE, INSTALL PAVERS OVER 2" SAND SETTING BED AND COMPACTED BASE PER DETAILS.
2. NEW CONCRETE CURB, PER A15/C200 - TYPICAL
3. NEW PAVEMENT STRIPING (NIC) - BY CITY OF ATHENS
4. NEW 180 DEGREE CIRCULAR TREE BENCH - BELSON PCS-72-180, PROVIDE MOUNTS AND ANCHORAGE PER MANUFACTURERS RECOMMENDATIONS, WHERE LOCATED IN BRICK PAVEMENT, PROVIDE CONCRETE BASE FOR ANCHORAGE ATTACHMENTS, REFER TO A1/C200 FOR ALTERNATE PAVEMENT AT BENCH
5. CIRCULAR TREE WELL AND TREE - NORTH SIDE, CORE THROUGH EXISTING ROAD PAVEMENT, REMOVE BASEMENT AND GRAVEL BASE AND INSTALL AMENDED SOIL FOR TREE BEDDING, SELECT AND PLANT TREE, PROVIDE CONCRETE RESTRAINT RING AND RUBBER PAVEMENT BY "RUBBERWAY INC" AT WELL PER DETAIL K1/C200.
6. 8" THICK CONCRETE DRIVE APRON, PROVIDE EPOXY COATED #4 BAR DOWELS AT 12" O/C EPOXY SET IN CONCRETE TO TIE NEW APRON TO EXISTING CONCRETE SIDEWALK
7. NEW CONCRETE CURB AT APRON CURB CUT, INSTALL TOP OF CURB 2" ABOVE EXISTING PAVEMENT
8. EXISTING CATCH BASIN INSTALLED BY CITY, INSTALL CURB TO CB PER DETAILS L14, G13, H16/C200
9. LIGHT POLE AND LUMINAIR PROVIDED BY CITY, CONCRETE BASE AND COMPLETE INSTALLATION BY CONTRACTOR, REFER TO E101 AND C200 FOR DETAILS.
10. NEW CB BY CONTRACTOR, REFER TO CB PER DETAILS L14, G13, H16/C200
11. NEW PLANTER BY CONTRACTOR, BELSON MODEL PFTF, WHERE LOCATED IN BRICK PAVEMENT, PROVIDE CONCRETE BASE FOR ANCHORAGE ATTACHMENTS
12. NEW BENCH BY CONTRACTOR, BELSON MODEL PA6, WHERE LOCATED IN BRICK PAVEMENT, PROVIDE CONCRETE BASE FOR ANCHORAGE ATTACHMENTS
13. EXISTING CONCRETE PAVEMENT WITH EXPANSION/ CONTROL JOINTS INDICATED
14. EXISTING STREET LAMP TO REMAIN
15. EXISTING FIRE HYDRANT TO REMAIN
16. EXISTING MANHOLE AND LID TO REMAIN
17. EXISTING CURB TO REMAIN
18. NEW ADA CURB CUT, REFER TO DETAILS M5 & L5/ C200
19. NEW 4" CONCRETE PAVEMENT OVER 4" FREE DRAINING GRAVEL, REFER TO SHEET C200 FOR PAVEMENT SECTIONS, REFER TO DETAILS M10 & M11/C200 FOR EXPANSION AND CONTROL JOINTS, ALIGN NEW JOINTS WITH EXISTING JOINTS IN EXISTING PAVEMENT TO REMAIN.
20. STREET CROSSING POLE TO REMAIN
21. PAY STATION PROVIDED BY CITY, INSTALLED BY CONTRACTOR, TS SYSTEMS - LUKE II, PROVIDE CONCRETE BASE FOR ANCHORAGE ATTACHMENTS, REFER TO J10/C200
22. HEAVY DUTY BIKE LOOP BY CONTRACTOR, BELSON # HRHD-FT-EPX, PROVIDE CONCRETE BASE FOR ANCHORAGE ATTACHMENTS, REFER TO G5/ C200
23. NEW ADA CURB CUT, REFER TO DETAILS A11/ C200
24. NEW TRUNCATED DOME ADA PAVERS
25. CONTINUOUS 4" PERFORATED PVC DRAIN PIPE PER DETAIL M1/C200 - DRAIN TO CATCH BASINS AND CONNECT.
26. 4" SOLID PIPE AT CONCRETE PAVEMENT

**ALTERNATE 2 CODED NOTES:**

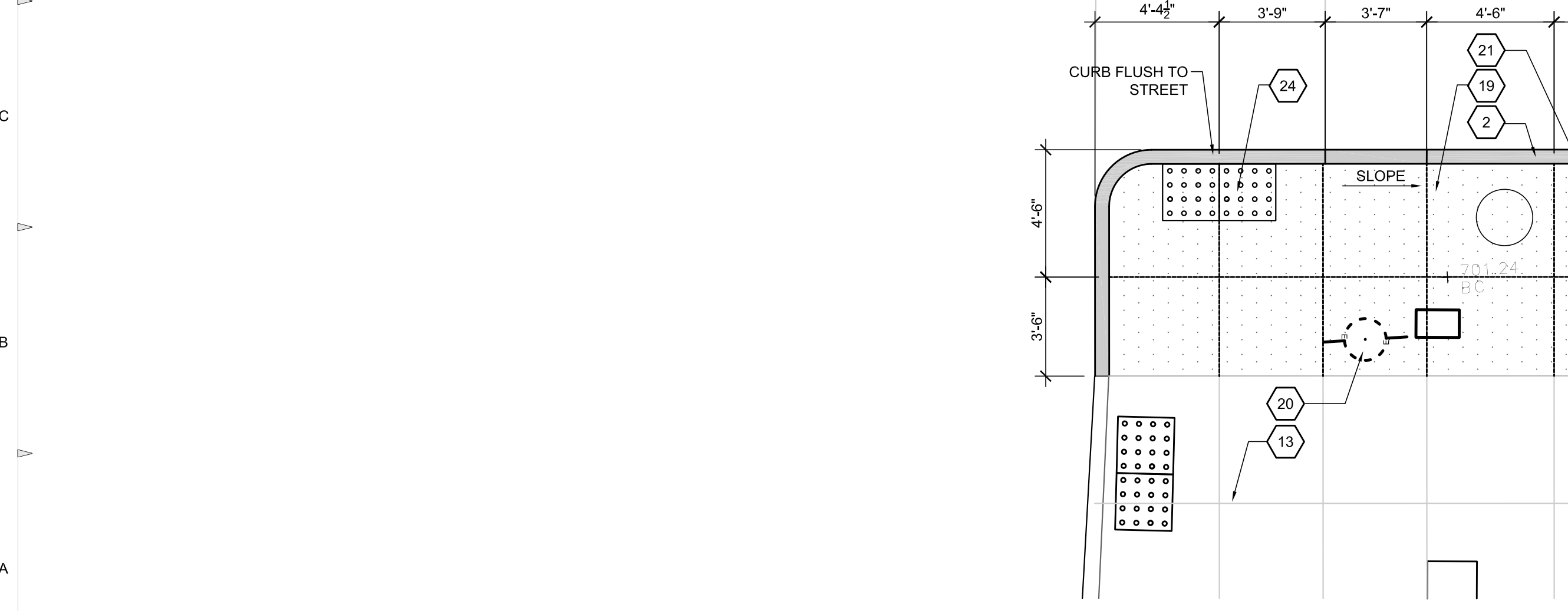
- A1 VAULT - POLYMER CONCRETE QUARZITE PULL BOX WITH GASKETED COVER, GASKETED HEAVY DUTY PG 2436 HG 00, COVER SHALL BE LOCKING AND HAVE "CITY OF ATHENS COMMUNICATIONS" MOLDED INTO THE TOP, TOP SHALL BE DESIGNED FOR SIDEWALK INSTALLATION WITH MINIMUM COEFFICIENT OF FRICTION BOX: PG 2436 BB 30, PROVIDE BOX AND GROUNDING ROD PER DETAIL D16/ C200  
 GROUNDINGS AND BONDING: GROUNDING ROD SHALL BE COPPER CLAD STEEL ROD MINIMUM 5/8" DIAMETER AND MINIMUM OF 8 FEET LONG PROVIDED AT EACH VAULT, GROUNDING WIRE TO BE NO. 6 SOLID COPPER, ALL CONNECTIONS TO BE "CADWELD".
- A2 FIBER OPTIC CONDUIT - PIPE: 4" SCHEDULE 80 HDPE PIPE AND FITTINGS, FILL LINE: SUITABLE FOR PULLING INNERDUCT - POLYPROPYLENE ROPE, 3/8" DIAMETER POLYPROPYLENE HOLLOW, BRAIDED ROPE WITH AVERAGE BREAKING STRENGTH OF 2,440 POUNDS NON-DETECTABLE CAUTION TAPE: ORANGE WITH "FIBER OPTIC CABLE" PRINTED LOCATED 12" ABOVE DUCT.



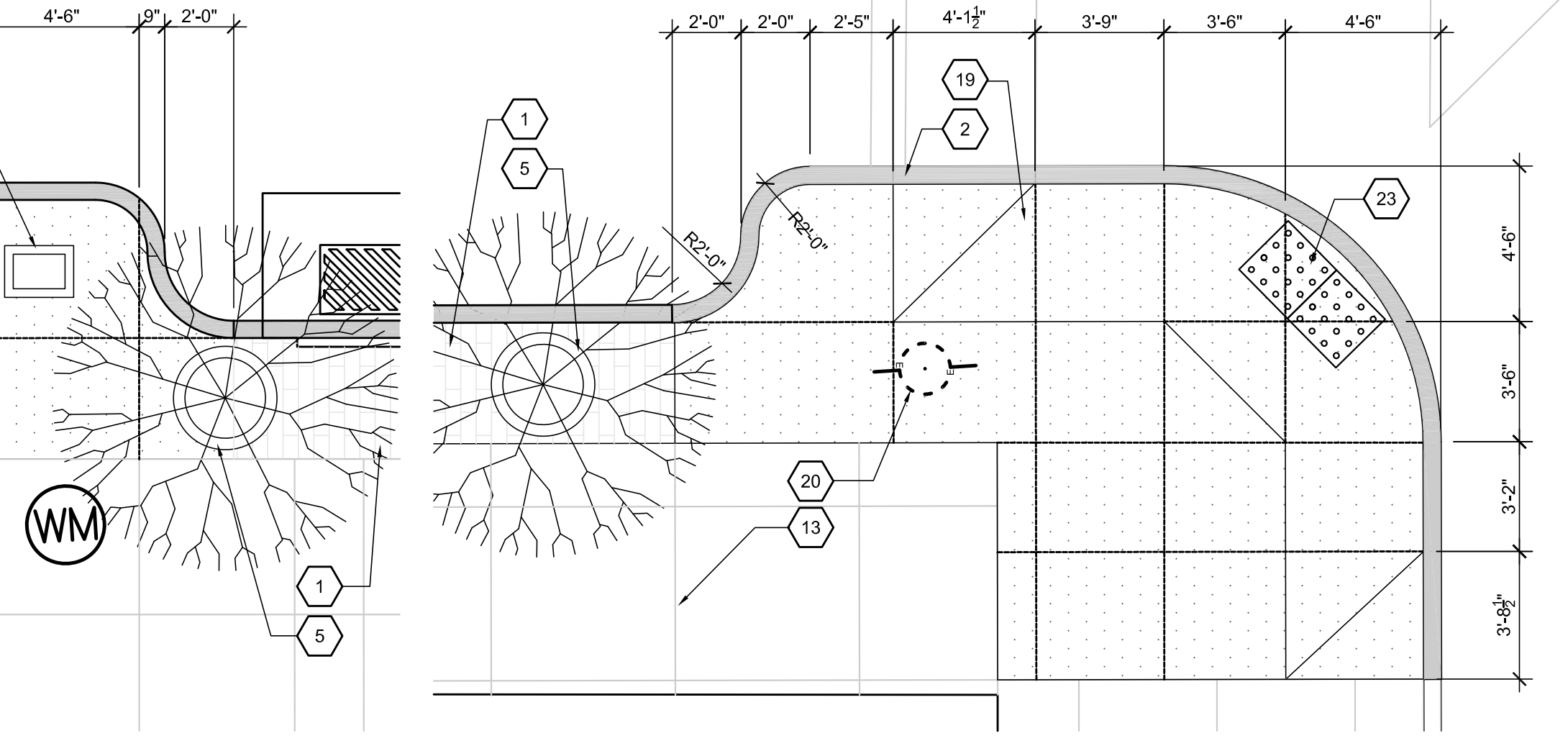
**D2 NORTH WEST CORNER DETAIL**  
 SCALE: 1/4" = 1'-0"



**D8 NORTH EAST CORNER DETAIL**  
 SCALE: 1/4" = 1'-0"



**A5 SOUTH WEST CORNER DETAIL**  
 SCALE: 1/4" = 1'-0"



**A9 SOUTH EAST CORNER DETAIL**  
 SCALE: 1/4" = 1'-0"

ITEM	QUANTITY	SPEC
LAMP/POST	10	PROVIDED BY CITY - INSTALLED BY CONTRACTOR HANOVER LIGHT POLE AND BASE, MODEL 306-12"
TREE	8	PROVIDED AND PLANTED BY CONTRACTOR TATARIAN MAPLE (ACER TATARICUM), 2" CALIPER
TREE BENCH	3	PROVIDED AND INSTALLED BY CONTRACTOR BELSON #PCS-72-180, GLOSS, COLOR: BLACK
BENCH	3	PROVIDED AND INSTALLED BY CONTRACTOR BELSON #PA6, GLOSS, COLOR: BLACK, LENGTH - 6'-0"
PLANTER	6	PROVIDED AND INSTALLED BY CONTRACTOR BELSON #PFTF, GLOSS, COLOR: BLACK
PAY STATION	2	PROVIDED CITY AND INSTALLED BY CONTRACTOR T2 SYSTEMS - LUKE II, COLOR: CHARCOAL GREY
BIKE LOOP	3	PROVIDED BY OWNER AND INSTALLED BY CONTRACTOR POSTS SET IN CONCRETE

PROFESSIONAL SEAL

ISSUE DATES

NO.	DATE	DESCRIPTION

PROJECT TITLE  
**WEST UNION STREET IMPROVEMENTS PROJECT**  
 WEST UNION ST.  
 ATHENS, OHIO 45701

PROJECT NUMBER 16036  
 DATE 01/04/17  
 SHEET TITLE  
**SITE IMPROVEMENT PLAN**  
 DETAIL PLANS

SHEET  
**C102**